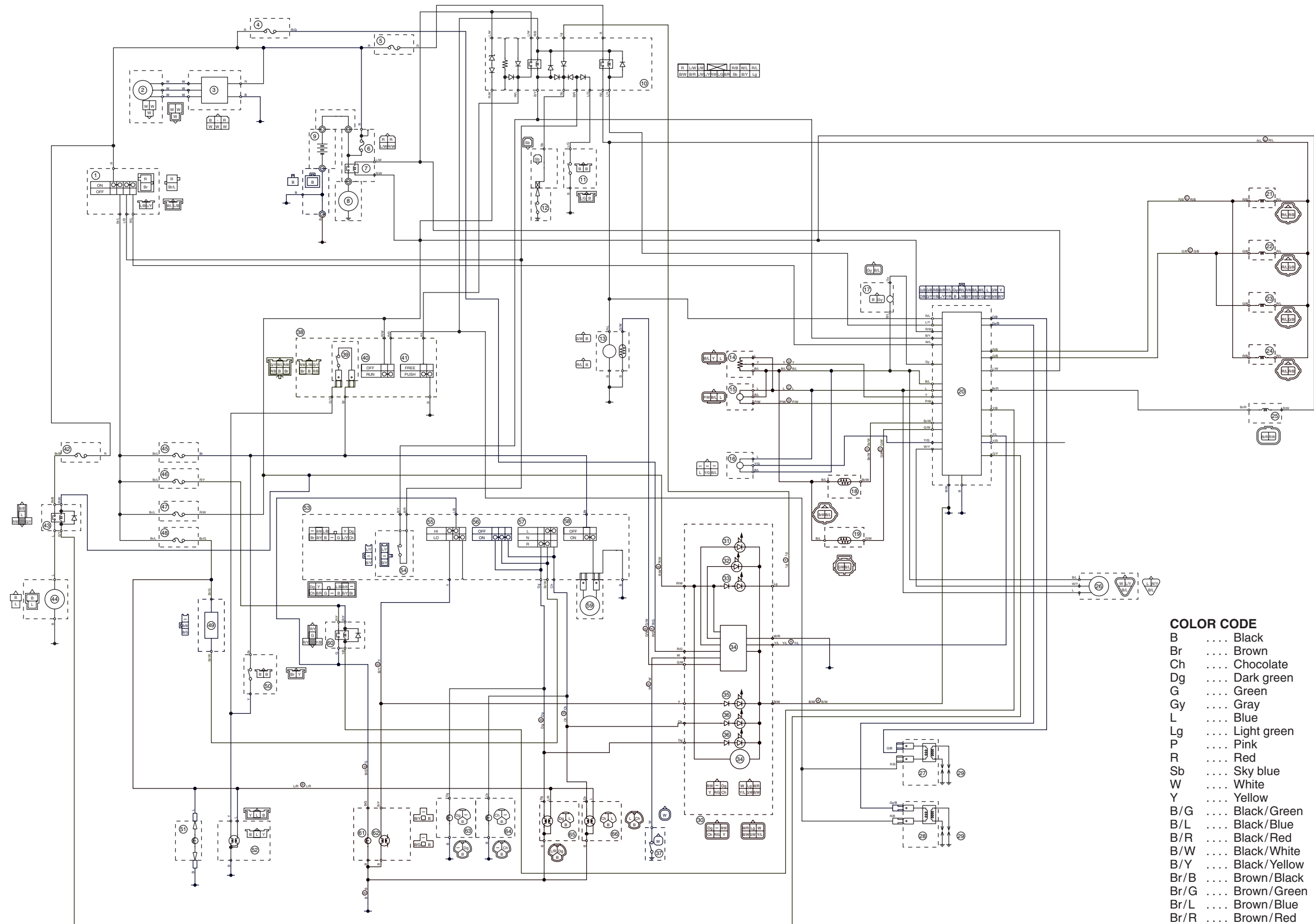


FZ6-SS/FZ6-SSC WIRING DIAGRAM

- ① Main switch
- ② A.C. magneto
- ③ Rectifier/regulator
- ④ Fuse (backup)
- ⑤ Fuse (fuel injection)
- ⑥ Fuse (main)
- ⑦ Starter relay
- ⑧ Starter motor
- ⑨ Battery
- ⑩ Starting circuit cut-off relay
- ⑪ Sidestand switch
- ⑫ Neutral switch
- ⑬ Fuel pump
- ⑭ Throttle position sensor
- ⑮ Intake air presser sensor
- ⑯ Lean angle cut-off switch
- ⑰ Crankshaft position sensor
- ⑱ Intake air temperature sensor
- ⑲ Coolant temperature sensor
- ⑳ ECU
- ㉑ Cylinder #1-injector
- ㉒ Cylinder #2-injector
- ㉓ Cylinder #3-injector
- ㉔ Cylinder #4-injector
- ㉕ Air cut-off valve
- ㉖ Speed sensor
- ㉗ Ignition coil #1 and #4
- ㉘ Ignition coil #2 and #3
- ㉙ Spark plug
- ㉚ Meter assembly
- ㉛ Oil level warning light
- ㉜ Engine trouble warning light
- ㉝ Neutral indicator light
- ㉞ Multi-function meter
- ㉟ High beam indicator light
- ㊱ Turn signal indicator light
- ㊲ Oil level switch
- ㊳ Right handlebar switch
- ㊴ Front brake light switch
- ㊵ Engine stop switch
- ㊶ Start switch
- ㊷ Fuse (radiator fan motor)
- ㊸ Radiator fan motor relay
- ㊹ Radiator fan motor
- ㊺ Fuse (signal)
- ㊻ Fuse (headlight)
- ㊼ Fuse (ignition)
- ㊽ Fuse (tail)
- ㊾ Turn signal relay
- ㊿ Rear brake light switch
- 1 License plate light
- 2 Tail/brake light
- 3 Left handlebar switch
- 4 Clutch switch
- 5 Dimmer switch
- 6 Hazard switch
- 7 Turn signal switch
- 8 Horn switch
- 9 Horn
- 10 Dimmer relay
- 11 Headlight (high beam)
- 12 Headlight (low beam)
- 13 Rear turn signal light (right)
- 14 Rear turn signal light (left)
- 15 Front turn signal/position light (right)
- 16 Front turn signal/position light (left)

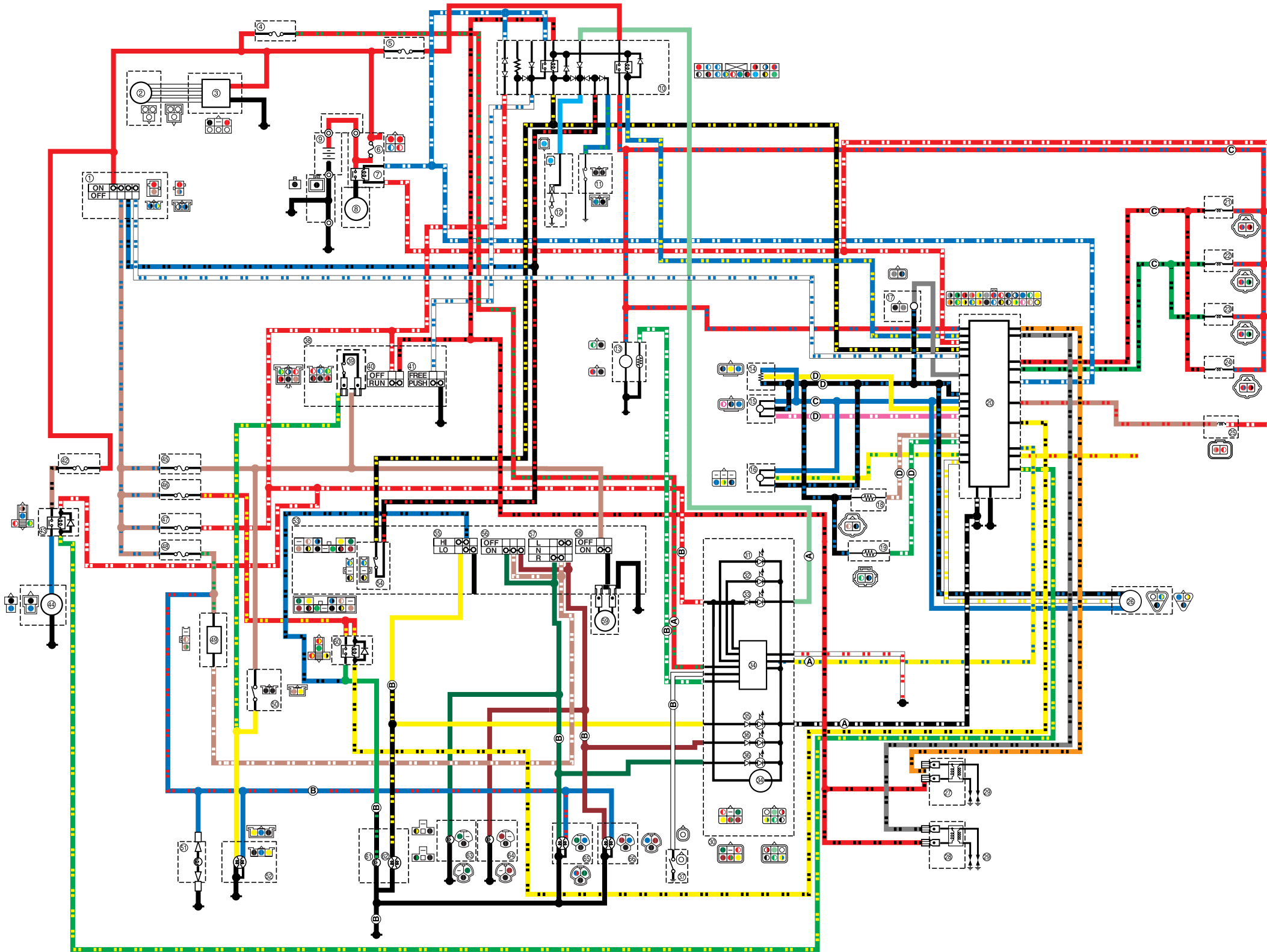
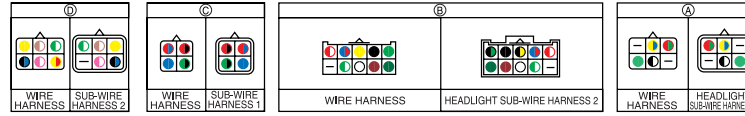
FZ6-SS/FZ6-SSC WIRING DIAGRAM



COLOR CODE

B	Black	G/B	Green/Black
Br	Brown	G/L	Green/Blue
Ch	Chocolate	G/W	Green/White
Dg	Dark green	G/Y	Green/Yellow
G	Green	Gy/B	Gray/Black
Gy	Gray	L/B	Blue/Black
L	Blue	L/G	Blue/Green
Lg	Light green	L/R	Blue/Red
P	Pink	L/W	Blue/White
R	Red	L/Y	Blue/Yellow
Sb	Sky blue	O/B	Orange/Black
W	White	O/R	Orange/Red
Y	Yellow	P/W	Pink/White
B/G	Black/Green	R/B	Red/Black
B/L	Black/Blue	R/G	Red/Green
B/R	Black/Red	R/L	Red/Blue
B/W	Black/White	R/W	Red/White
B/Y	Black/Yellow	R/Y	Red/Yellow
Br/B	Brown/Black	W/L	White/Blue
Br/G	Brown/Green	W/Y	White/Yellow
Br/L	Brown/Blue	Y/B	Yellow/Black
Br/R	Brown/Red	Y/G	Yellow/Green
Br/W	Brown/White	Y/L	Yellow/Blue
			Y/R	Yellow/Red

FZ6-SS/FZ6-SSC WIRING DIAGRAM



COLOR CODE

Black	Green/Black
Brown	Green/Blue
Chocolate	Green/White
Dark green	Green/Yellow
Green	Gray/Black
Gray	Blue/Black
Blue	Blue/Green
Light green	Blue/Red
Pink	Blue/White
Red	Blue/Yellow
Sky blue	Orange/Black
White	Orange/Red
Yellow	Pink/White
Black/Green	Red/Black
Black/Blue	Red/Green
Black/Red	Red/Blue
Black/White	Red/White
Black/Yellow	Red/Yellow
Brown/Black	White/Blue
Brown/Green	White/Yellow
Brown/Blue	Yellow/Black
Brown/Red	Yellow/Green
Brown/White	Yellow/Blue
	Yellow/Red